

# Flygt 8056.280

---

# Table of Contents

<b>1 Introduction.....</b>	<b>2</b>
1.1 Specially approved products.....	2
<b>2 Product Description.....</b>	<b>3</b>
2.1 The data plate.....	3
2.2 Product denomination.....	3
<b>3 Exploded View.....</b>	<b>5</b>
3.1 Drive Unit.....	5
3.1.1 Standard.....	5
3.1.2 Level sensor.....	6
3.1.3 Leakage detector unit (FLS).....	7
3.1.4 Cable entries.....	8
3.2 Hydraulic Unit.....	11
3.2.1 LT/MT/HT.....	11
3.3 Installation Components.....	12
3.3.1 Sliding brackets.....	12
3.3.2 Discharge connection units.....	13
<b>4 List of Parts.....</b>	<b>14</b>
4.1 8056.280.....	14

# 1 Introduction

## Purpose of this manual

The purpose of this manual is to provide necessary information on spare parts and accessories order.

## Disclaimer

Always use genuine Flygt parts. The use of other spare parts or accessories can invalidate any claims for warranty or compensation. Xylem does not take any responsibility for damages that are caused by the use of non-original parts. For more information, contact your local sales and service representative.

## Data for ordering spare parts

The following information is needed for spare part orders:

- Serial number of the product
- Part number
- Quantity of bulk material, see \* in tables

## 1.1 Specially approved products

### Qualification of personnel

Only Xylem or Xylem-authorized service personnel may undertake repair work on specially approved products.

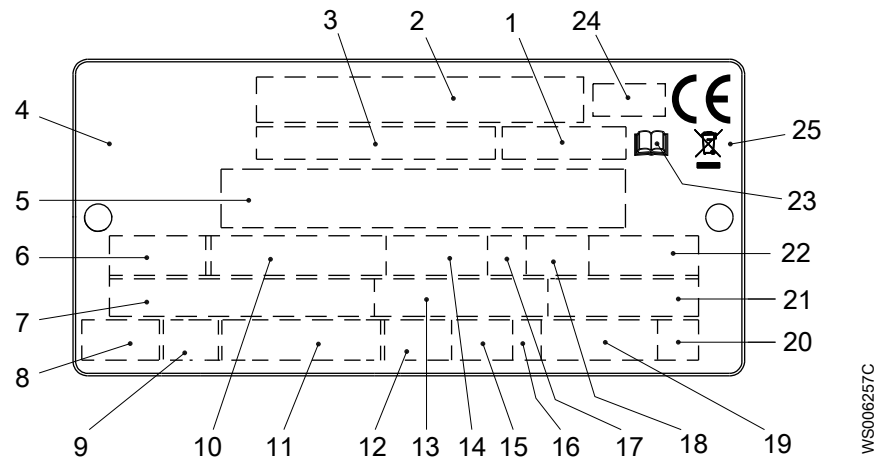
### Dimensional accuracy inspection

Spare parts marked with (Ex) after the part number are subject to dimensional accuracy inspection when used in specially approved products.

# 2 Product Description

## 2.1 The data plate

The data plate is a metal label that is located on the main body of the products. The data plate lists key product specifications. Specially approved products also have an approval plate.



1. Curve code or Propeller code
2. Serial number
3. Product number
4. Country of origin
5. Additional information
6. Phase; type of current; frequency
7. Rated voltage
8. Thermal protection
9. Thermal class
10. Rated shaft power
11. International standard
12. Degree of protection
13. Rated current
14. Rated speed
15. Maximum submergence
16. Direction of rotation: L=left, R=right
17. Duty class
18. Duty factor
19. Product weight
20. Locked rotor code letter
21. Power factor
22. Maximum ambient temperature
23. Read installation manual
24. Notified body, only for EN-approved Ex products
25. WEEE-Directive symbol

Figure 1: The data plate

## 2.2 Product denomination

### Reading instruction

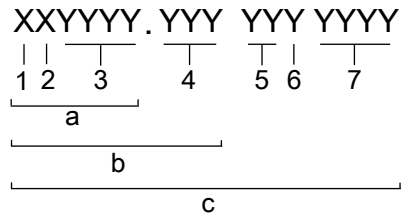
In this section, code characters are illustrated accordingly:

X = letter

Y = digit

The different types of codes are marked up with a, b and c. Code parameters are marked up with numbers.

Codes and parameters



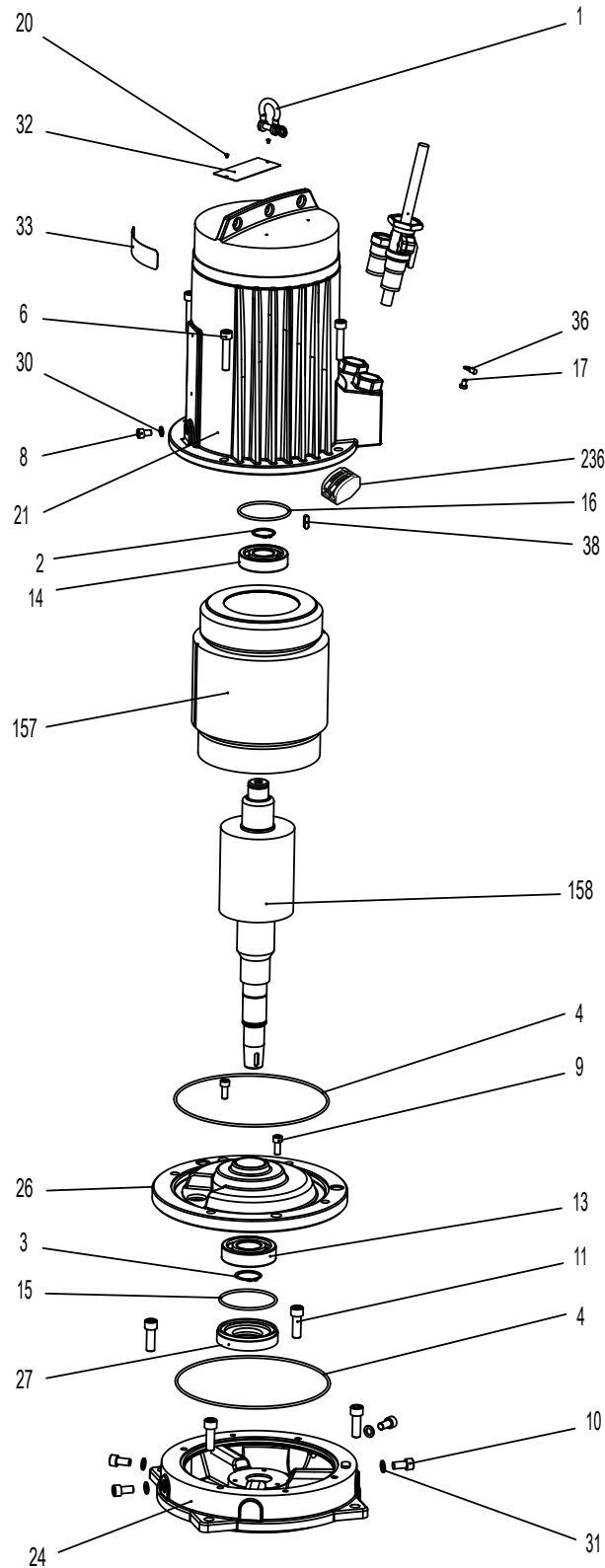
WS006265B

Type of Callout	Number	Indication
Type of code	a	Sales denomination
	b	Product code
	c	Serial number
Parameter	1	Hydraulic end
	2	Type of installation
	3	Sales code
	4	Version
	5	Production year
	6	Production cycle
	7	Running number

# 3 Exploded View

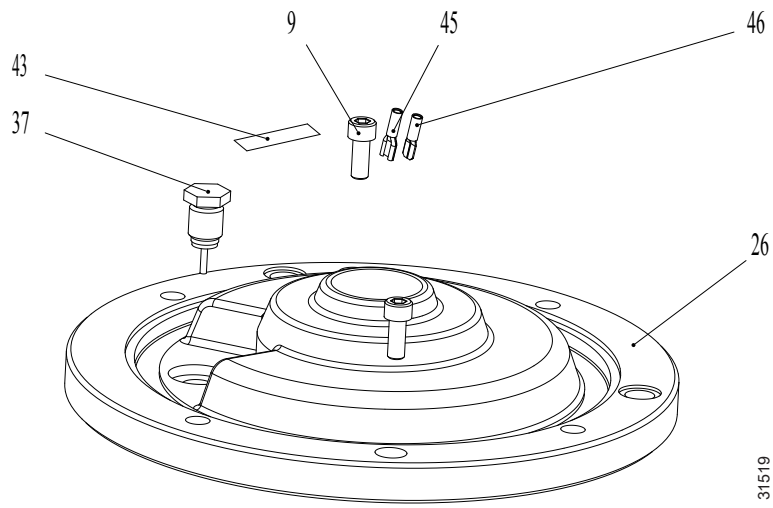
## 3.1 Drive Unit

### 3.1.1 Standard

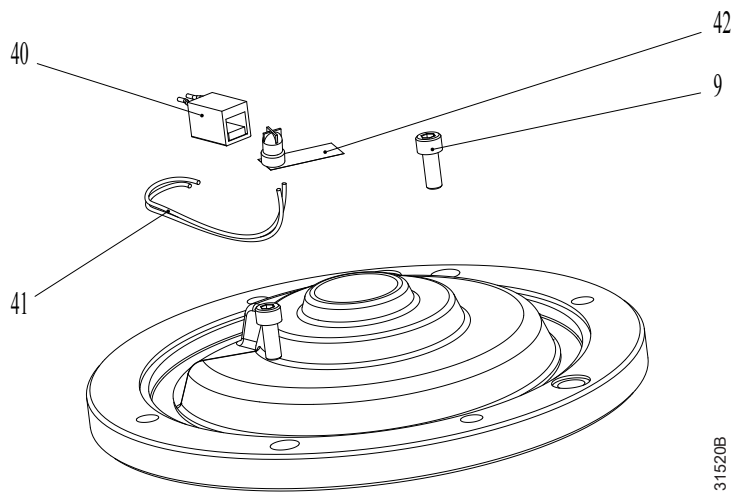


31518C

### 3.1.2 Level sensor



### 3.1.3 Leakage detector unit (FLS)

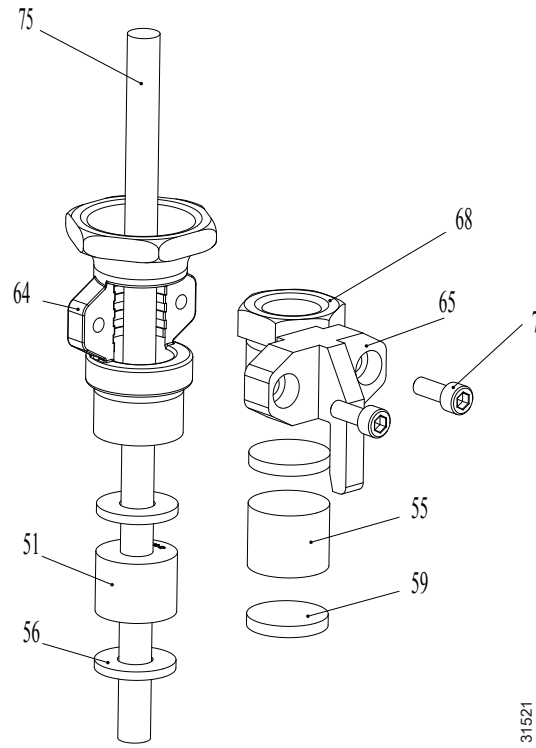


31520B

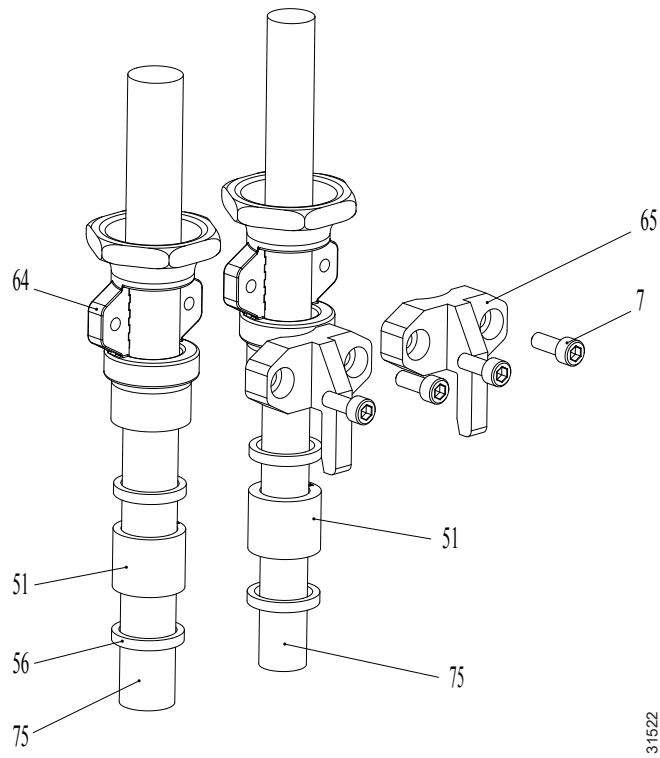


### 3.1.4 Cable entries

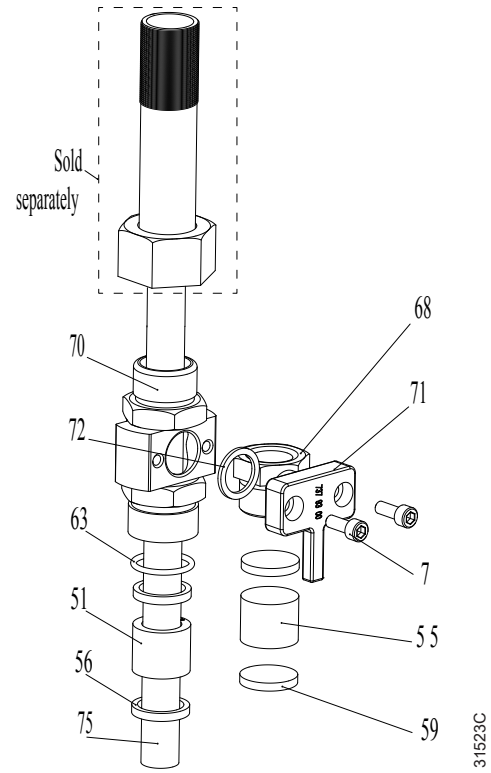
Single cable, without cable protection



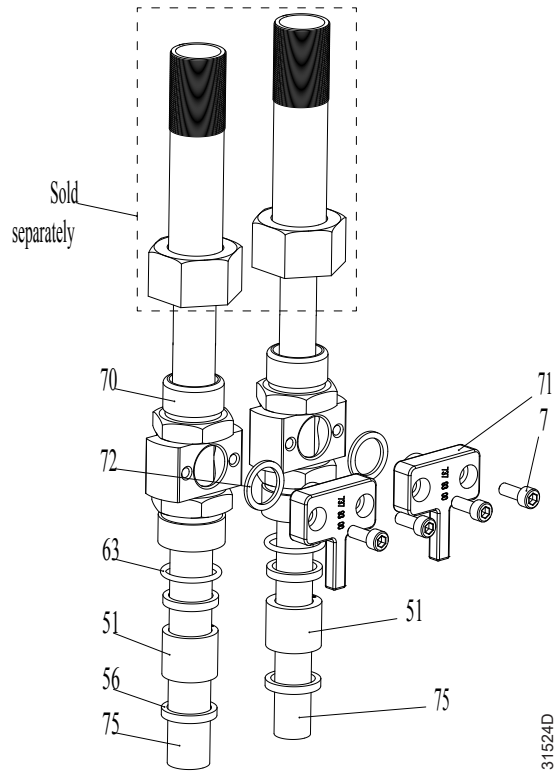
Two cables, without cable protection



## Single cable, with cable protection

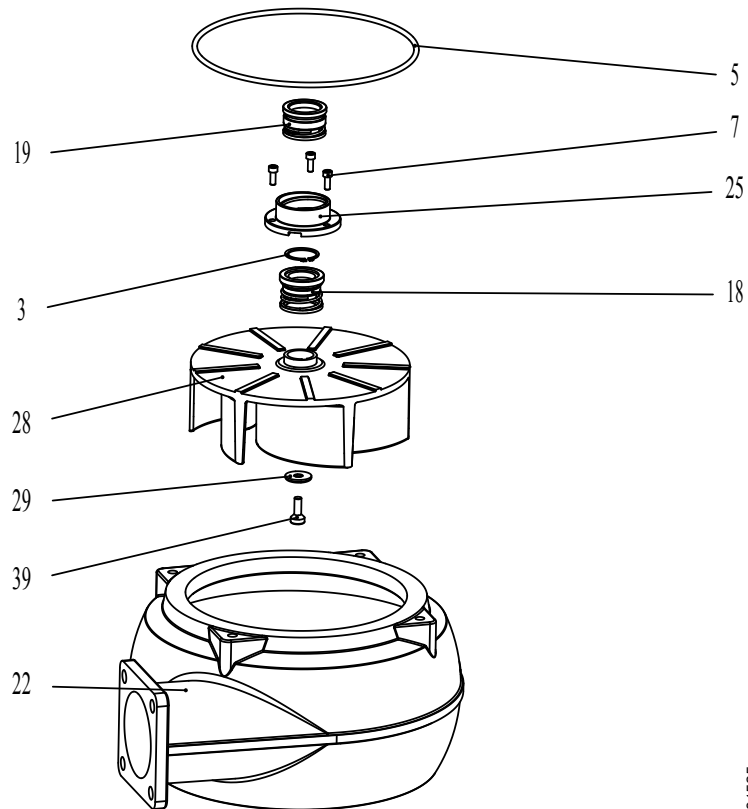


Two cables, with cable protection



## 3.2 Hydraulic Unit

### 3.2.1 LT/MT/HT

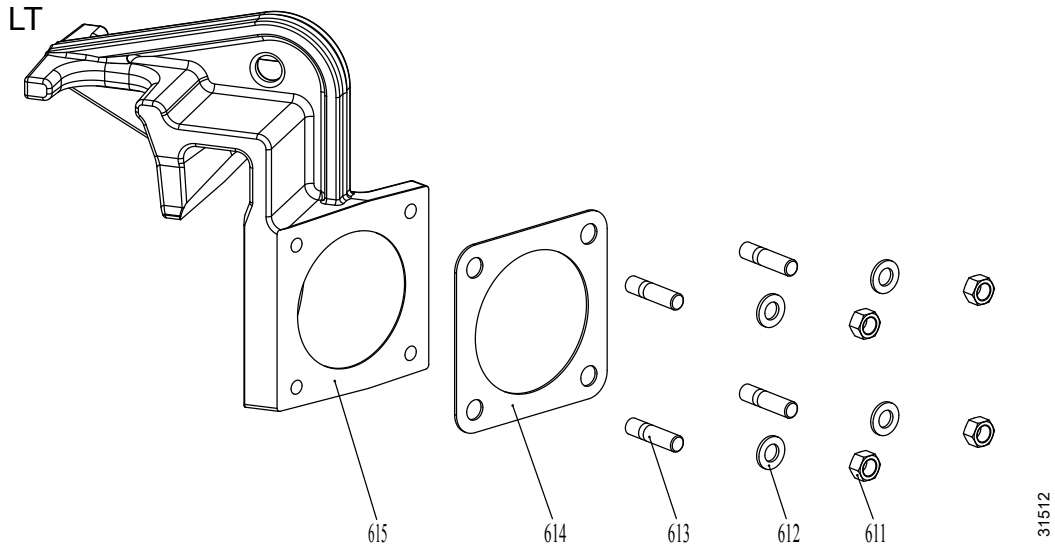


31525

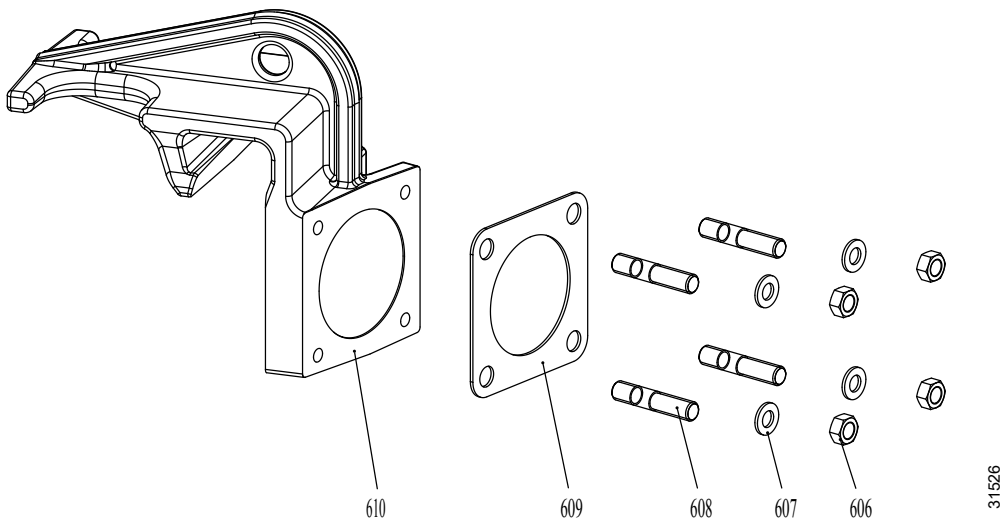
### 3.3 Installation Components

#### 3.3.1 Sliding brackets

LT

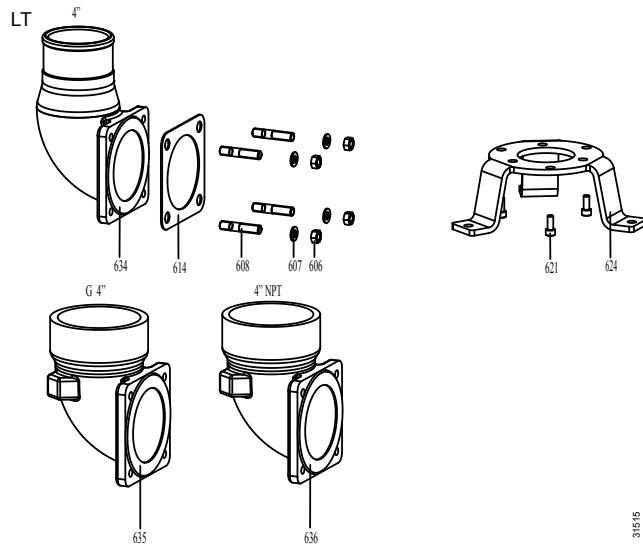


MT/HT

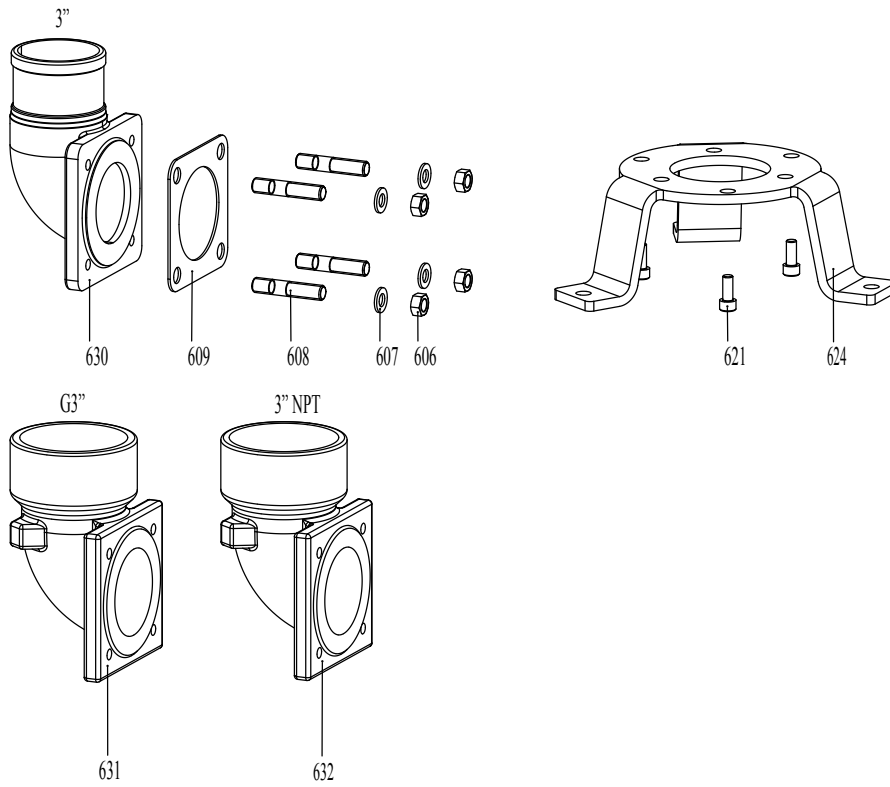


### 3.3.2 Discharge connection units

LT



MT/HT



# 4 List of Parts

## 4.1 8056.280

Pos. No	Part. No	Type	Denomination	Qty/Version
				280
1	82 26 48		Shackle	1
2	82 60 92		Retaining ring SGA 20	1
3	82 61 33		Retaining ring SGA 35	2
4	82 71 70		O-ring 221.84X3.53 FPM	2
5	82 80 87		O-ring 249.3X5.7 FPM	1
6	83 02 00		Hex.socket hd screw M10X50-A4-80	4
7	83 02 75		Hex.socket hd screw M6X16-A4-70	3
7	83 02 75		Hex.socket hd screw M6X16-A4-70	2
7	83 02 75		Hex.socket hd screw M6X16-A4-70	4
8	83 02 95		Hex.socket hd screw M8X12-A4-70	1
9	83 02 99		Hex.socket hd screw M8X20-A4-70	2
9	83 02 99		Hex.socket hd screw M8X20-A4-70	3
10	83 03 21		Hex.socket hd screw M10X20-A4-70	4
11	83 03 47		Hex.socket hd screw M12X35-A4-70	4
13	83 76 41		Ball bearing	1
14	83 33 13		Ball bearing 20X52X15 MM	1
15	83 76 47		O-ring 78.97X3.53 FPM	1
16	83 76 44		O-ring 52.39X3.53 NBR	1
17	83 76 56		Slotted head screw M6X8	1
18	83 76 73		Mechanical seal RSiC/RSiC FPM	1
19	83 76 76		Mechanical seal Al2O3/CARBON NBR	1
20	82 21 73		Drive screw 4X5-A4	6
21	736 97 00		Stator housing	1
22	737 02 00		Pump housing	LT
22	737 00 00		Pump housing	MT HT
24	737 27 00		Oil housing	1
24	94 19 22		Control cable subcab 7X1,5	*
25	737 34 00		Seal sleeve	1
26	737 36 00		Bearing housing	1
26	737 36 02		Bearing housing WITH WATER DETECTOR	1
27	737 37 00		Bearing cover	1
28	737 38 00		Impeller Ø225	1
28	737 38 02		Impeller Ø210	1
28	737 38 04		Impeller Ø200	1
28	737 38 05		Impeller Ø190	1
28	737 39 03		Impeller Ø235	1
28	737 39 05		Impeller Ø220	1
28	737 39 06		Impeller Ø210	1

Pos. No	Part. No	Type	Denomination	Qty/Version
				280
28	737 39 07		Impeller Ø200	1
28	737 39 08		Impeller Ø190	1
28	737 39 09		Impeller Ø180	1
28	737 39 10		Impeller Ø170	1
28	737 39 11		Impeller Ø160	1
28	737 40 04		Impeller Ø155	1
28	737 40 05		Impeller Ø150	1
28	737 40 07		Impeller Ø140	1
28	737 40 09		Impeller Ø130	1
28	737 40 11		Impeller Ø120	1
28	737 40 12		Impeller Ø110	1
29	737 47 00		Plain washer 10X30X4	1
30	583 32 01		Seal ring HNBR	1
31	583 32 03		Seal ring HNBR	4
32	630 68 00	(Ex)	Data plate USE 6306801 AS SPARE PART	2
33	667 40 00		Sticker	2
36	81 79 30		Cable lug 2.5 - 6 MM2 M6	1
36	81 79 30		Cable lug 2.5 - 6 MM2 M6	2
37	83 76 39		Level sensor	1
38	83 76 50		Parallel key	1
39	83 76 72		Hex socket hd screw M 8 X20-A4-50	1
40	518 89 02	(Ex)	Leakage sensor (FLS)	1
41	504 78 07		Cable unit	1
44	340 71 00		Instruction plate	1
45	83 43 47		Flat pin sleeve 2.6-6.6 MM2	1
46	83 76 61		Flat pin sheet	1
55	83 76 09		Seal sleeve FPM	1
55	83 76 26		Seal sleeve (10)-12 MM FPM	1
55	83 76 26		Seal sleeve (10)-12 MM FPM	2
55	83 76 05		Seal sleeve (15)-17 MM CR	1
55	83 76 07		Seal sleeve (21)-23 MM CR	1
55	83 76 11		Seal sleeve (17)-20 MM CR	1
55	83 76 08		Seal sleeve CR	1
55	83 76 06		Seal sleeve (18)-21 MM CR	1
55	83 76 06		Seal sleeve (18)-21 MM CR	2
55	83 76 11		Seal sleeve (17)-20 MM CR	2
56	83 76 27		Plain washer 12X27.5X3-A4	2
56	83 76 27		Plain washer 12X27.5X3-A4	4
56	83 76 14		Plain washer 22X27.5X4-A4	2
56	83 76 24		Plain washer 17.5X27.5X4-A4	2
56	83 76 14		Plain washer 22X27.5X4-A4	4
59	83 76 23		Plain washer 17.5X27.5X4-A4	2
63	83 76 45		O-ring 25.07X2.62 FPM	2



Pos. No	Part. No	Type	Denomination	Qty/Version	
				280	
63	83 76 45		O-ring 25.07X2.62 FPM	1	
64	737 85 00		Motor cable entry LONG	1	
64	737 85 00		Motor cable entry LONG	2	
65	737 88 00		Cable clamp Ø12-14 MM	1	
65	737 88 00		Cable clamp Ø12-14 MM	2	
65	737 86 00		Cable clamp Ø15-17 MM	1	
65	737 87 00		Cable clamp Ø18-23 MM	1	
65	737 92 00		Cable clamp Ø15-17 MM	1	
65	737 90 00		Cable clamp Ø21-23 MM	1	
65	737 87 00		Cable clamp Ø18-23 MM	2	
68	737 89 00		Motor cable entry SHORT	1	
70	737 91 00		Motor cable entry FOR CABLE PROTECTION	2	
70	737 91 00		Motor cable entry FOR CABLE PROTECTION	1	
71	737 93 00		Cable clamp Ø18-21 MM	1	
71	737 93 00		Cable clamp Ø18-21 MM	2	
72	738 34 00		Seal ring	2	
72	738 34 00		Seal ring	1	
75	94 20 60		Motor cable subcab 4G4+2X1.5	Power cable x 1 SUBCAB 4G4+2x1,5 Power cable x 2 SUBCAB 4G4+2x1,5 SUBCAB 4G4	*
75	94 20 82		Motor cable subcab 7G2.5+2X1.5	Power cable x 2 SUBCAB 4G2,5+2x1,5 SUBCAB 7G2,5+2x1,5 Power cable x 1 SUBCAB 7G2,5+2x1,5	*
75	94 20 91		Motor cable hcr 7X2,5	Power cable x 2 S07E6E5-F 7G2,5 Power cable x 1 S07E6E5-F 7G2,5	*
75	94 20 44		Motor cable subcab 4G6	Power cable x 2 SUBCAB 4G4+2x1,5 SUBCAB 4G4	*
75	94 20 59		Motor cable subcab 4G2.5+2X1.5	Power cable x 2 SUBCAB 4G2,5+2x1,5 SUBCAB 7G2,5+2x1,5 Power cable x 1 SUBCAB 4G2,5+2x1,5 Power cable x 2 SUBCAB 4G2,5+2x1,5	*
96	90 17 52		Oil ISO VG 32		*
157	737 12 01		Stator 17-10-2r	50 Hz 2-poles 380V-400V D P2=5kW 60 Hz 2-poles 440V-460V D P2=5,70kW/7,70hp	1
157	737 12 02		Stator 17-10-2r	50 Hz 2-poles 220V D P2=5kW	1
157	737 12 03		Stator 17-10-2r	50 Hz 2-poles 500V D P2=5kW 60 Hz 2-poles 575V D P2=5,70kW/ 7,70hp	1
157	737 12 04		Stator 17-10-2r	60 Hz 2-poles 460V YSER 230V Y// P2=5,70kW/7,70hp	1

Pos. No	Part. No	Type	Denomination	Qty/Version
				280
157	737 12 05		Stator 17-10-2r 50 Hz 2-poles 415V D P2=5kW 60 Hz 2-poles 480V D P2=5,70kW/ 7,70hp	1
157	737 12 06		Stator 17-10-2r 60 Hz 2-poles 380V D P2=5,70kW/ 7,70hp	1
157	737 12 07		Stator 17-10-2r 60 Hz 2-poles 220V D P2=5,70kW/ 7,70hp	1
157	737 09 01		Stator 17-12-4r 50 Hz 4-poles 690V Y 380V-415V D P2=6kW 50 Hz 4-poles 380V-415V D P2=5kW 60 Hz 4-poles 440V-480V D P2=5,90kW/7,90hp	1
157	737 09 02		Stator 17-12-4r 50 Hz 4-poles 220V D P2=5kW 50 Hz 4-poles 220V D P2=6kW	1
157	737 09 03		Stator 17-12-4r 50 Hz 4-poles 500V D P2=5kW 60 Hz 4-poles 575V D P2=5,90kW/ 7,90hp 50 Hz 4-poles 500V D P2=6kW	1
157	737 08 01		Stator 17-14-4r 50 Hz 4-poles 690V Y 380V-400V D P2=7,50kW 60 Hz 4-poles 440V-460V D P2=8,60kW/11,50hp	1
157	737 08 02		Stator 17-14-4r 50 Hz 4-poles 220V D P2=7,50kW	1
157	737 08 03		Stator 17-14-4r 50 Hz 4-poles 500V D P2=7,50kW 60 Hz 4-poles 575V D P2=8,60kW/ 11,50hp	1
157	737 08 04		Stator 17-14-4r 60 Hz 4-poles 460V YSER 230V Y// P2=8,60kW/11,50hp	1
157	737 08 05		Stator 17-14-4r 60 Hz 4-poles 380V D P2=8,60kW/ 11,50hp	1
157	737 08 06		Stator 17-14-4r 60 Hz 4-poles 220V D P2=8,60kW/ 11,50hp	1
157	737 08 07		Stator 17-14-4r 50 Hz 4-poles 415V D P2=7,50kW 60 Hz 4-poles 480V D P2=8,60kW/ 11,50hp	1
157	737 09 04		Stator 17-12-4r 60 Hz 4-poles 460V YSER 230V Y// P2=5,90kW/7,90hp	1
157	737 09 05		Stator 17-12-4r 60 Hz 4-poles 380V D P2=5,90kW/ 7,90hp	1
157	737 09 06		Stator 17-12-4r 60 Hz 4-poles 220V D P2=5,90kW/ 7,90hp	1
158	737 23 00		Shaft unit	1
158	737 18 00		Shaft unit	1
158	737 16 00		Shaft unit	1
236	85 08 72		Terminal block	2
236	85 08 73		Terminal block	3
236	85 08 72		Terminal block	8
236	85 08 74		Terminal block	3

Pos. No	Part. No	Type	Denomination	Qty/Version
				280
236	83 56 75		Shrinking terminal	6
236	85 08 72		Terminal block	1
606	82 23 33		Hexagon nut M10-A4-70	4
606	82 23 35		Hexagon nut M12-A4-70	4
607	82 35 76		Plain washer 10.5X20X2-A4-170HV	4
607	82 35 77		Plain washer 13X24X2.5-A4-170HV	4
608	83 76 49		Stud 10X30-A4-70	4
608	80 97 39		Stud 12X30-A4-70	4
609	738 36 00		Gasket	1
610	737 60 00		Sliding bracket	1
611	82 23 35		Hexagon nut M12-A4-70	4
612	82 35 77		Plain washer 13X24X2.5-A4-170HV	4
613	80 97 40		Stud 12X35-A4-70	4
614	738 35 00		Gasket	1
615	737 61 00		Sliding bracket	1
621	83 03 23		Hex.socket hd screw M10X25-A4-70	3
623	753 45 00		Stand	1
624	753 46 00		Stand	1
630	737 80 00		Discharge connection 3"	1
631	737 84 00		Discharge connection 3" NPT	1
632	737 84 01		Discharge connection G3"	1
634	737 83 00		Discharge connection 4"	1
635	737 82 01		Discharge connection 4" NPT	1
636	737 82 00		Discharge connection G4"	1
800	83 87 40		O-ring kits	1
900	756 43 00		Basic repair kit	1



**ООО «Бауманс Груп» - официальный партнер фирмы Flygt в России.**

**Тел: +7 495 121 49 50**

**Эл. почта: [info@baumgroup.ru](mailto:info@baumgroup.ru)**

**Сайт: [www.baumgroup.ru](http://www.baumgroup.ru)**